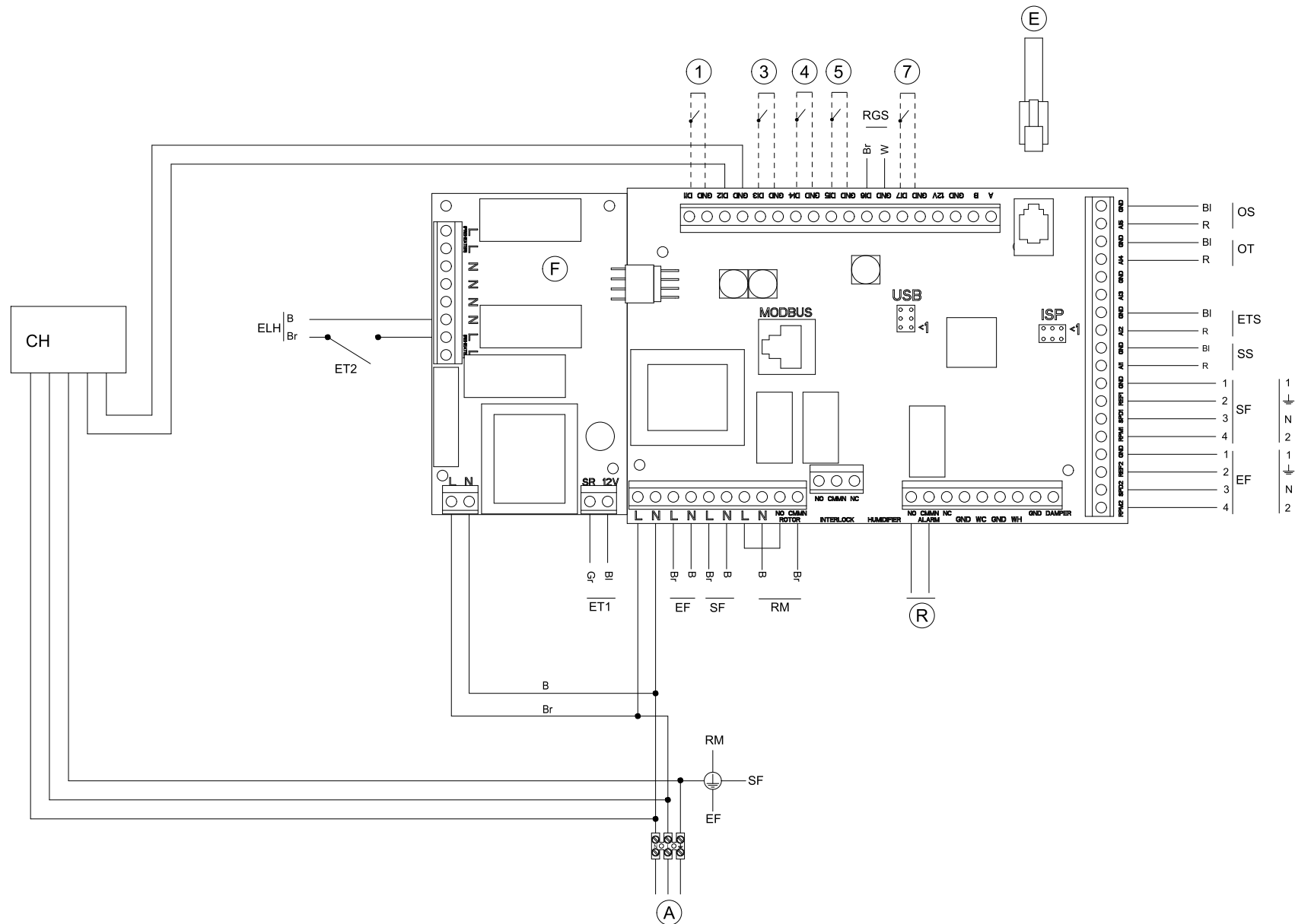
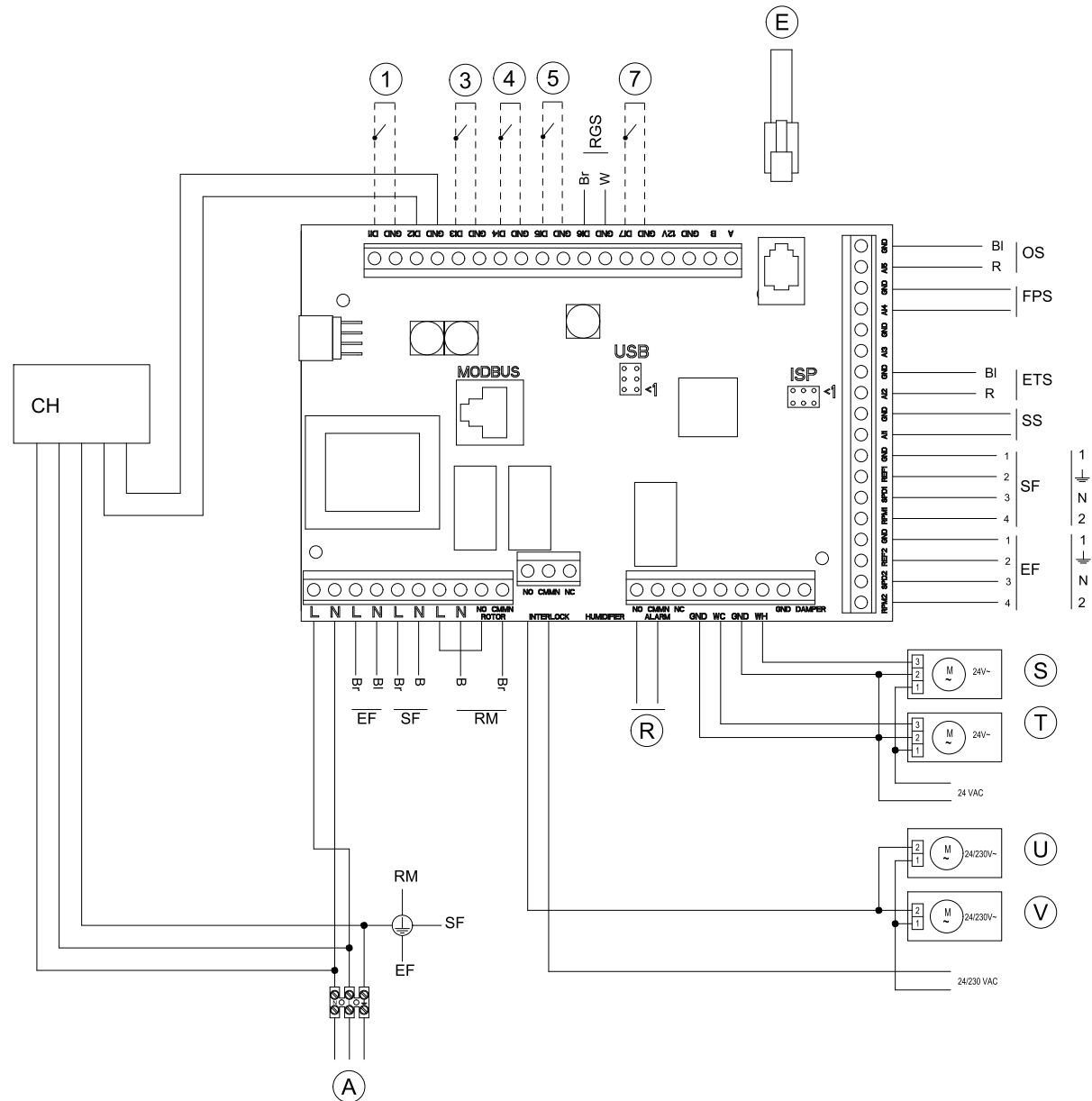


Standard configuration



Units with HW re-heater + WC



Symbol descriptions

Symbol	Description
SF	Supply air fan.
EF	Extract air fan.
SS	Supply air temperature sensor. ¹
ETS	Extract air temperature sensor.
ELH	Electrical re-heater battery.
OT	Overheat protection sensor. ²
OS	Outdoor air sensor.
FPS	Frost protection sensor, type TG-A130 ³
RM	Rotor motor.
ET1	Emergency thermostat, manual reset 110° C (normally closed contact)
ET2	Emergency thermostat, automatic reset 60° C (normally closed contact)
CH	Cooker hood
RGS	Rotor guard sensor
Ⓐ	Mains supply 230 V~ .
Ⓔ	External control panel.
Ⓘ	Water valve actuator, heating
Ⓣ	Water valve actuator, cooling

Symbol	Description
Ⓤ	Damper motor Outdoor air
Ⓥ	Damper motor Exhaust air
Ⓕ	Circuit board, PCU – PB. ²
Ⓡ	Sum alarm, Max 24V, 1A
①	Fan configuration: (std.: EF = High, SF = High).
③	Fan configuration: (std.: EF = Low, SF = High).
④	Disconnected re-heater battery.
⑤	Extended running.
⑦	Home/leave.
B	Blue.
Br	Brown.
Bl	Black.
R	Red.
Y	Yellow.
Gr	Grey.
W	White.

1. For water heating/cooling battery, type TG-K360.
2. Units with electrical re-heater battery.
3. Water heating battery.